

FIRE-RATED STEEL CURTAIN WALL

Fireframes® Curtainwall Series incorporates precise European engineering allowing for large, multi-story expanses of glass in interior and exterior applications using narrow steel profiles.



FIRE RATING
45 / 60 / 120 MINUTES

FEATURES

- Fire ratings of 45, 60 and 120 minutes with required hose stream test
- Unrestricted glazing area for use in locations where total glazing exceeds 25% of wall area (60 and 120 minutes)
- Compatible with full-lite doors from TGP in single leaf or double leaf design (see Fireframes Designer Series or Fireframes Heat Barrier Series)
- Narrow steel profiles
- Air and water pressure tested and approved for exterior use
- Easy installation similar to typical pressure plate curtain wall
- Frames supplied “K-D” (knock down) ready for installation or welded depending on application
- Incorporates large individual panes of Pilkington Pyrostop® fire-resistive-rated glass, composed of Pilkington Optiwhite™ glass and clear intumescent interlayers
- Durable steel frames ensure low maintenance system
- Finished face caps (aluminum, stainless steel, etc.) to meet project needs
- Custom aluminum face caps to meet project needs
- Finish painted at the factory to match desired color scheme



BIM 3D Model



Declare Label



Environmental Product Declaration



Fire-Rated



Hose Stream Tested



Heat Barrier



Positive Pressure Tested



UL Classified & Labeled



NORTH AMERICA'S
MOST SPECIFIED
FIRE-RATED GLASS COMPANY

LISTINGS/STANDARDS

Classified and labeled by Underwriters Laboratories Inc. and Underwriters Laboratories of Canada. File numbers R25274 (walls) and R25229 (windows), design number U537 (W473 Canada). Frame tests performed in accordance with:

| | | | | | |
|--------|----------|--------------|-------------------------------------|------------|------------|
| UL 9 | NFPA 251 | CAN/ULC-S101 | ASTM E119 | LARR 25798 | AAMA 501.1 |
| UL 263 | NFPA 257 | CAN/ULC-S106 | ASTM E283 ASTM E330 ASTM E331 | | |

FRAMING

| RATING | MAX. EXPOSED GLASS AREA PER PIECE | MAX. EXPOSED GLASS DIMENSION |
|------------|--|------------------------------|
| 45 min.* | 4,500 in ² (2.90 m ²) | 95-1/4" (2.42 m) |
| 60 min.** | 7,442 in ² (4.80 m ²) | 118-1/8" (3.00 m) |
| 120 min.** | 3,730 in ² (2.41 m ²) | 111" (2.81 m) |

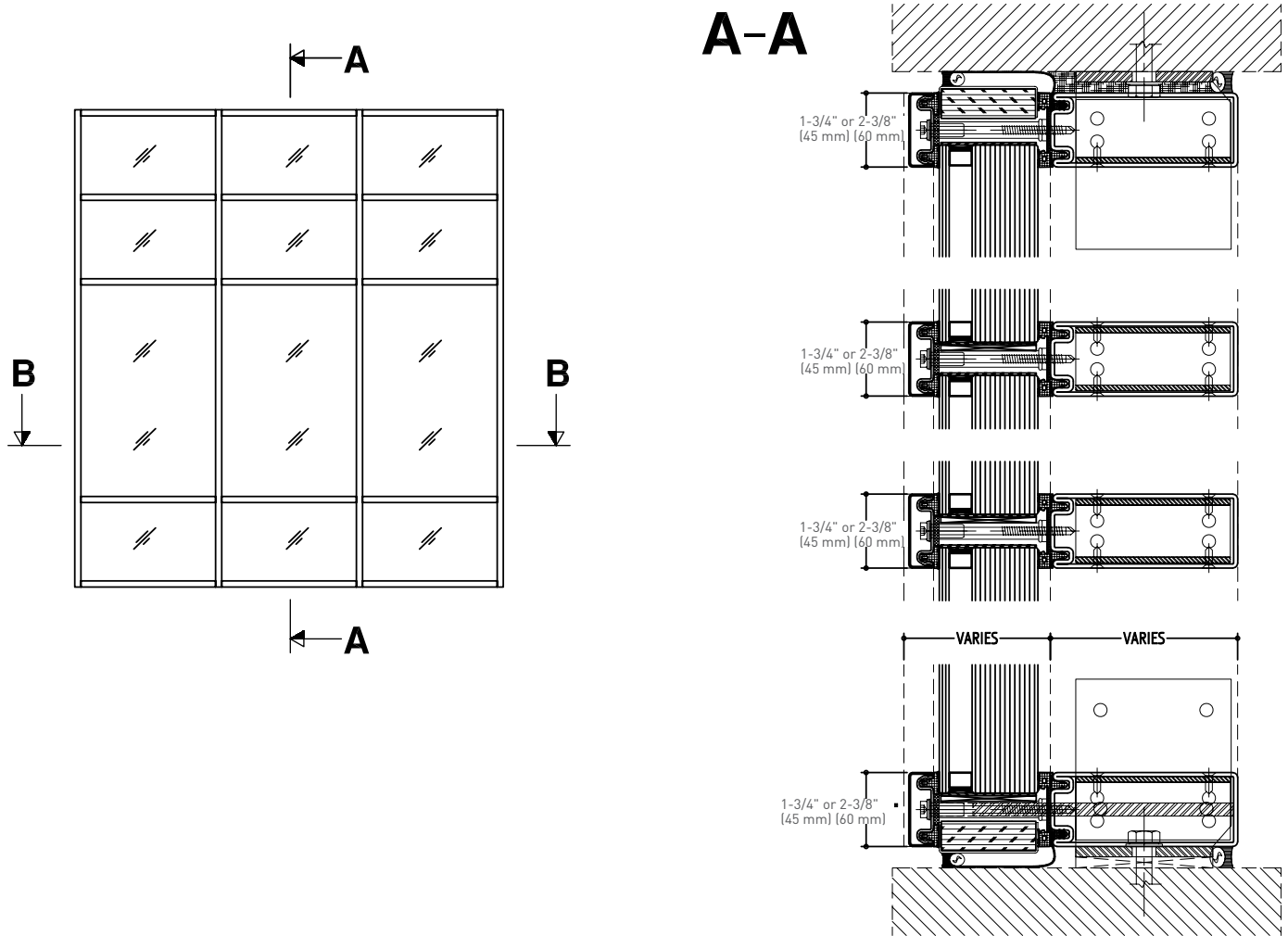
* 45 minute window systems are classified as an Opening Protective as per UL 9 with a maximum overall frame size of 152 square feet.

** 60 and 120-minute tests conducted per UL 263 / ASTM E-119.

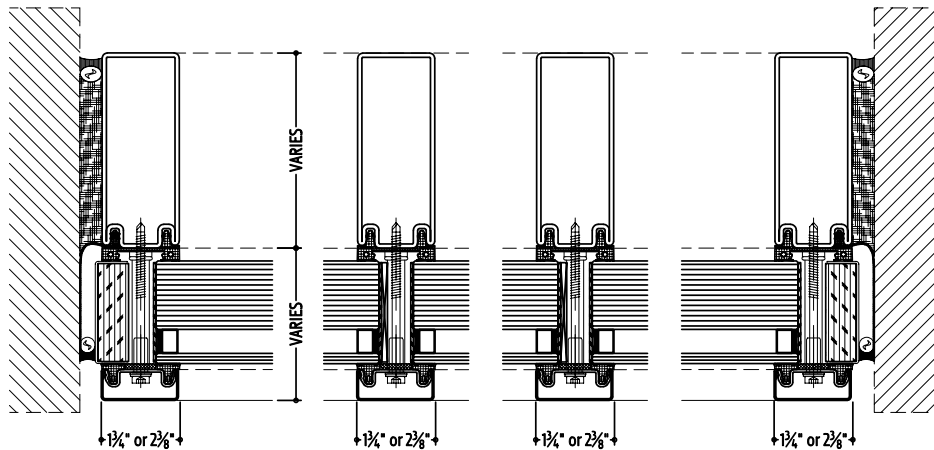
Therefore assembly is classified as a wall assembly, and not subject to “opening” area limitations.

Note: Individual lite sizes cannot exceed “Max. Exposed Area” shown above.

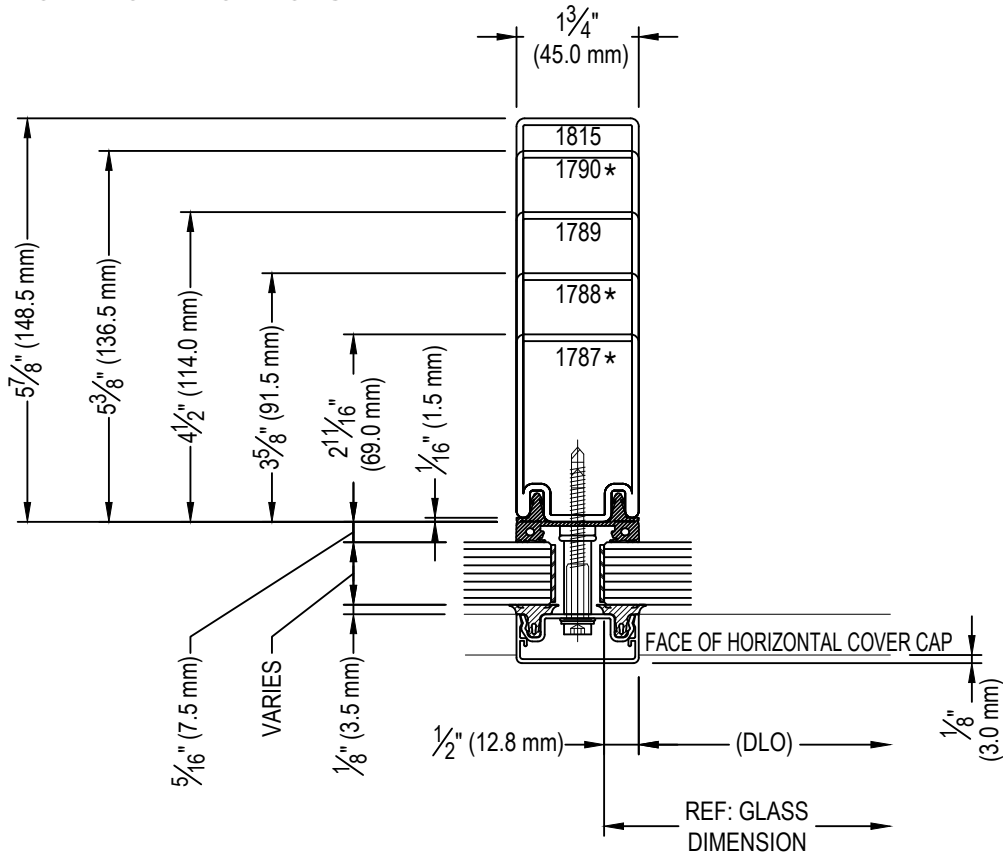
DETAIL DRAWINGS



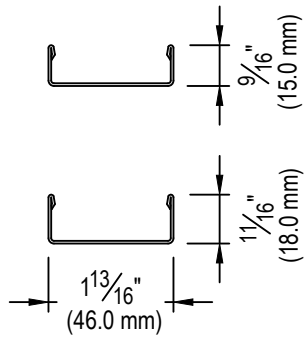
B-B



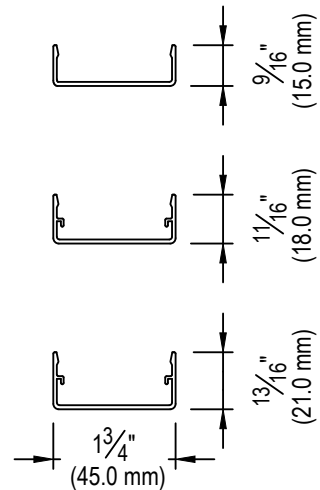
45 MM MULLION PROFILE OPTIONS



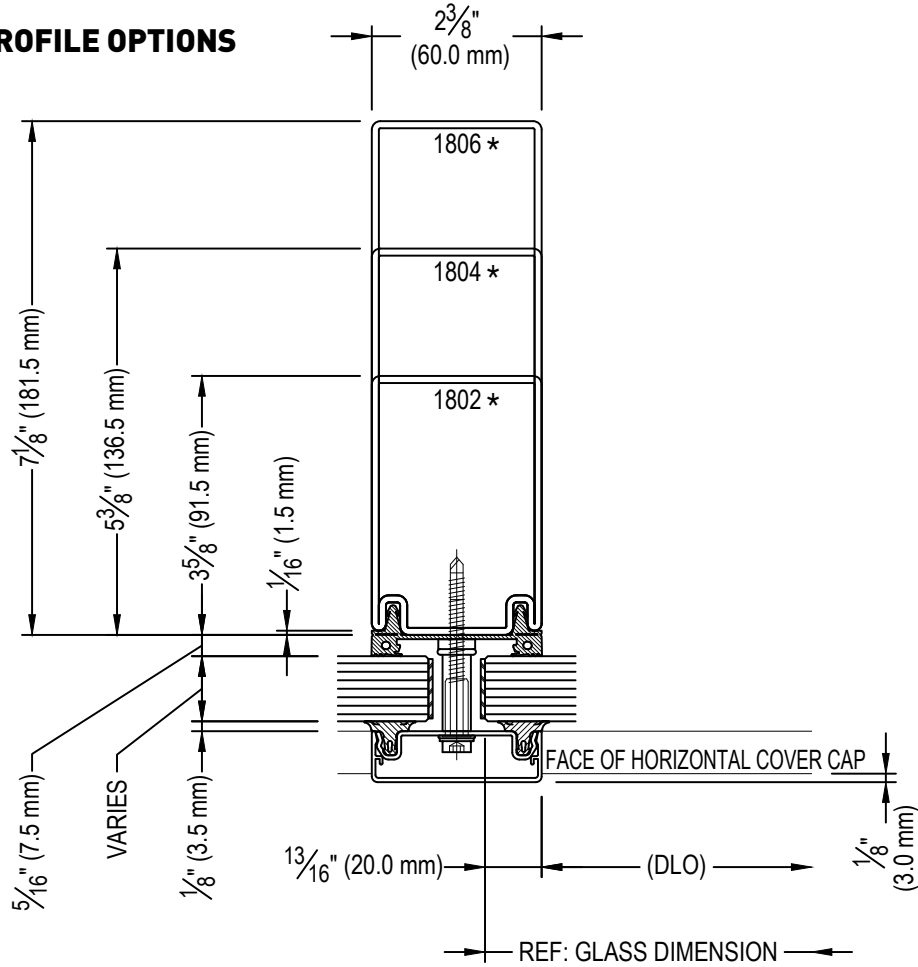
STAINLESS STEEL COVER CAPS



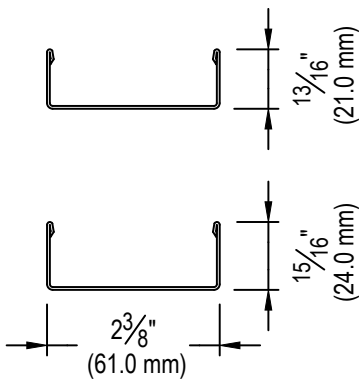
ALUMINUM COVER CAPS



60 MM MULLION PROFILE OPTIONS



STAINLESS STEEL COVER CAPS



ALUMINUM COVER CAPS

